

5 STAR IDEAL

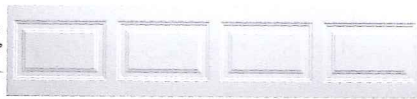
Premium Value Elegant Short Panel;
Shown in Ultra-Grain® Cherry Finish

PREMIUM VALUE

Our very best raised panel doors offer maximum performance and superior insulation. A solid sandwich construction of insulation between two steel skins provides the ultimate in durability, strength and energy efficiency. Quieter than other insulated and non-insulated doors, 5-Star doors are the best choice for homes with rooms adjacent to or above the garage. Available in beautiful elegant short, elegant long, and flush panel designs, these doors offer long-lasting beauty and exceptional value. All standard width 5-Star doors include an operator reinforcement bracket for easy and convenient installation.



MODELS



ELEGANT SHORT PANEL DESIGN

- MDP68U**—2" Polyurethane Insulation (R-value 18.4)
- MDP38U**—1-3/8" Polyurethane Insulation (R-value 12.9)
- MDP68**—2" Polystyrene Insulation (R-value 9.0)
- MDP38**—1-3/8" Polystyrene Insulation (R-value 6.5)



ELEGANT LONG PANEL DESIGN

- MRP68U**—2" Polyurethane Insulation (R-value 18.4)
- MRP38U**—1-3/8" Polyurethane Insulation (R-value 12.9)
- MRP68**—2" Polystyrene Insulation (R-value 9.0)
- MRP38**—1-3/8" Polystyrene Insulation (R-value 6.5)



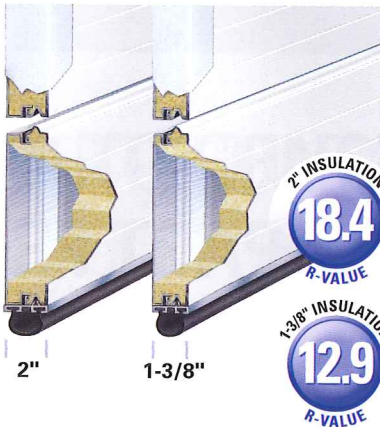
FLUSH WOODGRAIN PANEL DESIGN

- MFL68U**—2" Polyurethane Insulation (R-value 18.4)
- MFL38U**—1-3/8" Polyurethane Insulation (R-value 12.9)
- MFL68**—2" Polystyrene Insulation (R-value 9.0)
- MFL38**—1-3/8" Polystyrene Insulation (R-value 6.5)

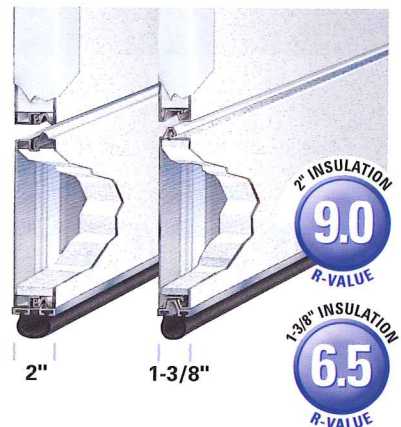
CONSTRUCTION

3-LAYER CONSTRUCTION | STEEL + INSULATION + STEEL

2" or 1-3/8" POLYURETHANE INSULATION



2" or 1-3/8" POLYSTYRENE INSULATION



Sandwich-style construction with two sheets of steel (27 gauge) wrapped around an insulating core, creating an extremely durable and energy-efficient door.

COLORS



WARRANTIES



Ultra-Grain® painted steel surface simulates a real stained door without the maintenance of wood.

*Not available on all models.
Due to the printing process, colors may vary.